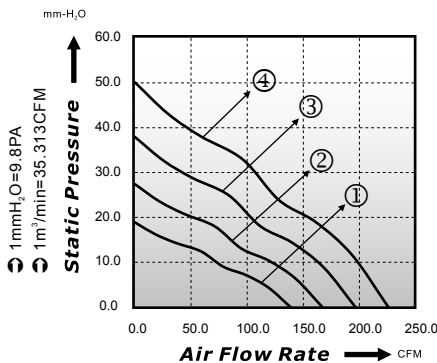


120x120x38mm

Model C

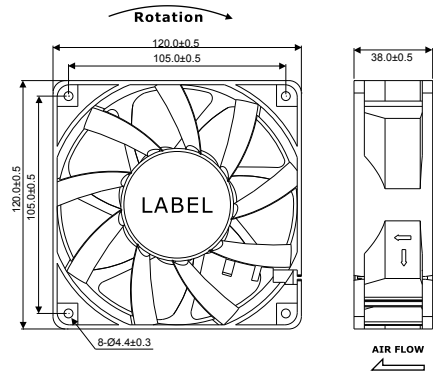


P-Q Curve (At Rated Voltage)



Dimensions Drawing

Unit: (mm)



Model No	Bearing (*)	Rated Voltage (VDC)	Rated Current (A)	Power Consumption (Watts)	Speed (rpm)	Air Flow (CFM)	Static Pressure (mmH ₂ O)	Noise (dBA)	Curve
ED12038-12LB	●	12	2.00	24.0	4500	138.58	18.88	56.0	1
ED12038-12MB	●	12	2.70	32.4	5500	166.96	27.40	61.5	2
ED12038-12HB	●	12	3.30	39.6	6500	196.42	37.92	66.0	3
ED12038-12HHB	●	12	4.30	51.6	7500	225.77	50.10	70.5	4
ED12038-24LB	●	24	1.00	24.0	4500	138.58	18.88	56.0	1
ED12038-24MB	●	24	1.60	38.4	5500	166.96	27.40	61.5	2
ED12038-24HB	●	24	2.50	60.0	6500	196.42	37.92	66.0	3
ED12038-48LB	●	48	0.70	33.6	4500	138.58	18.88	56.0	1
ED12038-48MB	●	48	1.00	48.0	5500	166.96	27.40	61.5	2
ED12038-48HB	●	48	1.20	57.6	6500	196.42	37.92	66.0	3

* Bearing Type: ○ Sleeve ● Two Ball ⊙ Hydro-Dynamic